

# Wall Mount Instructions

**SunTech<sup>®</sup> CT40<sup>™</sup>**  
BP + VITALS



BP+Vitals



507 Airport Boulevard, Suite 117  
Morrisville, NC 27560-8200 USA  
Tel: + 1.919.654.2300  
1.800.421.8626  
Fax: + 1.919.654.2301  
SunTechMed.com



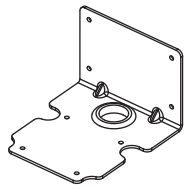
EMERGO Europe  
Prinsessegracht 20  
2514 AP The Hague  
The Netherlands

105 HuanGuan South Road, Suite 15 2~3/F  
DaHe Community Guanlan,  
LongHua District, Shenzhen  
GuangDong PRC 518110  
Tel.: + 86-755-2958 8810  
+ 86-755-29588986 (Sales)  
+ 86-755-29588665 (Service)  
Fax: + 86-755-2958 8829  
SunTechMed.com.CN

**SunTech Medical<sup>®</sup>**  
The Difference in Clinical Grade<sup>®</sup>



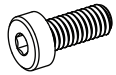
82-0408-00-RevC



x1



x1



x4



x6

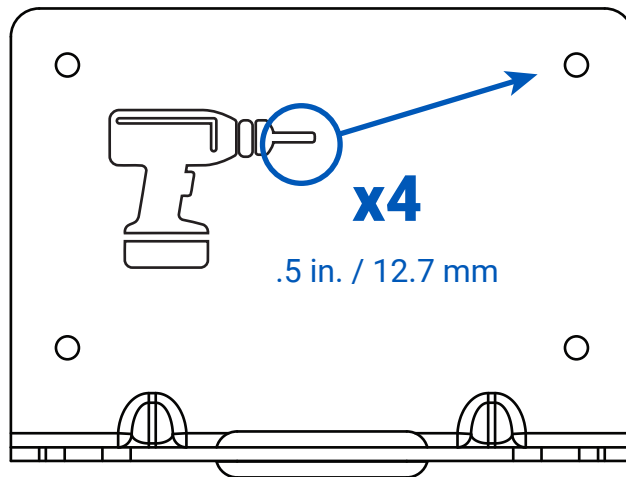
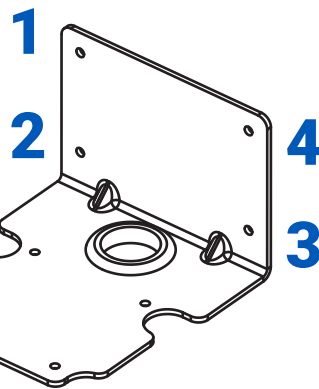


x4



x6

1

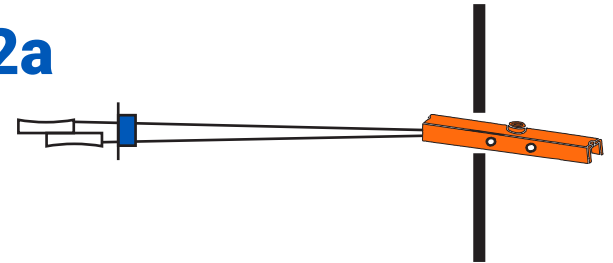


2

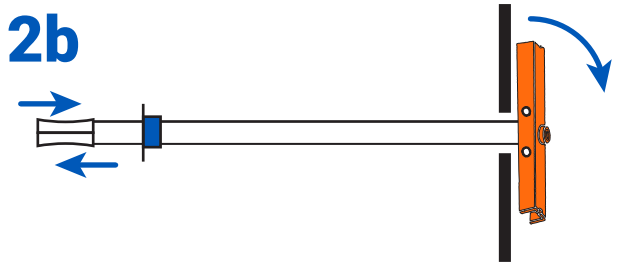


x4

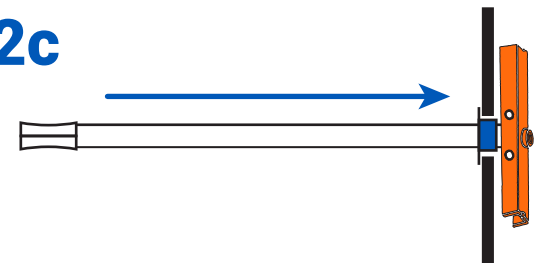
2a



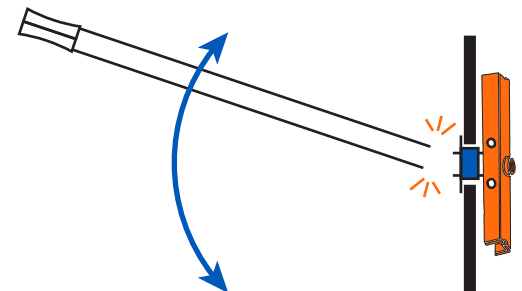
2b



2c



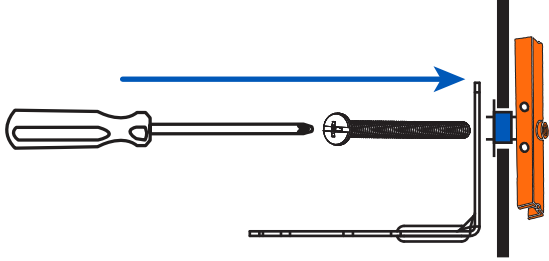
2d



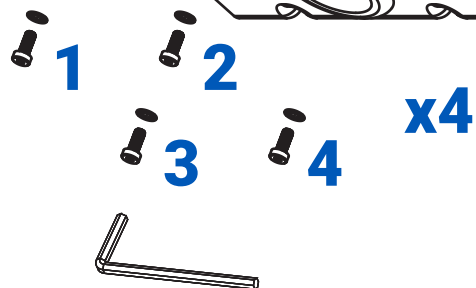
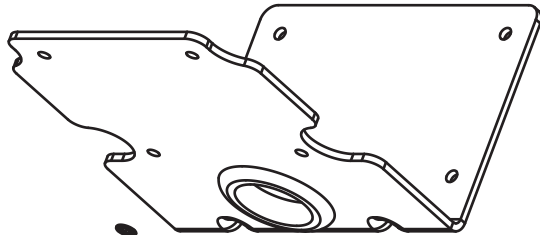
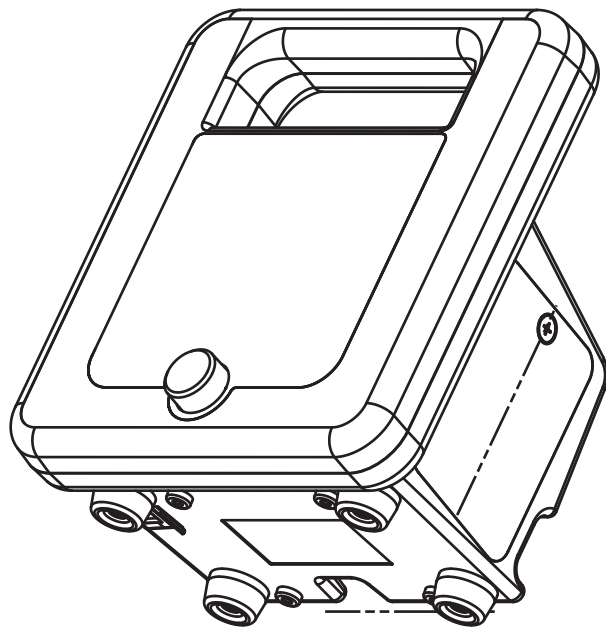
# 3



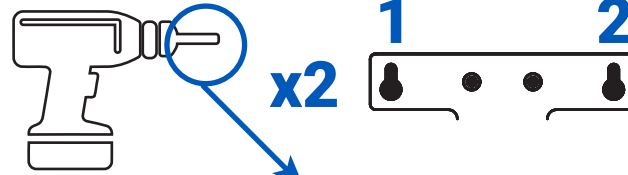
x4



# 4



# 1



.5 in. / 12.7 mm

# 2

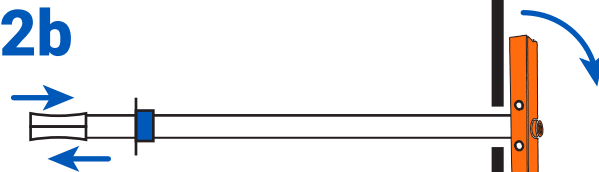


## 2a

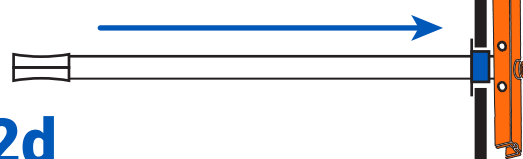
x2



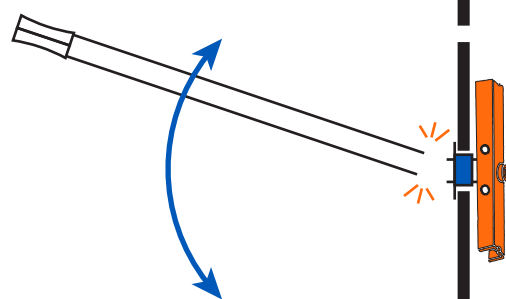
## 2b



## 2c



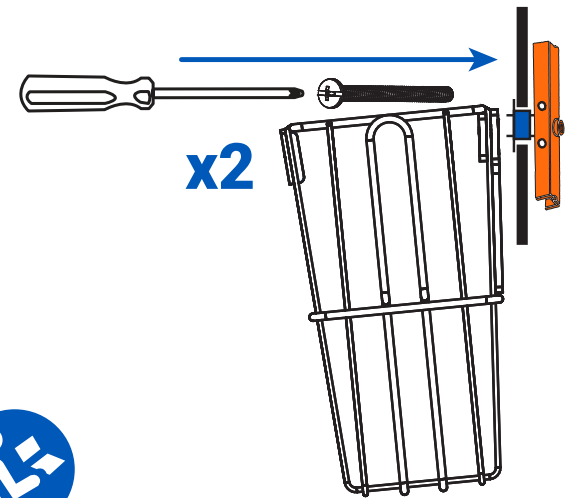
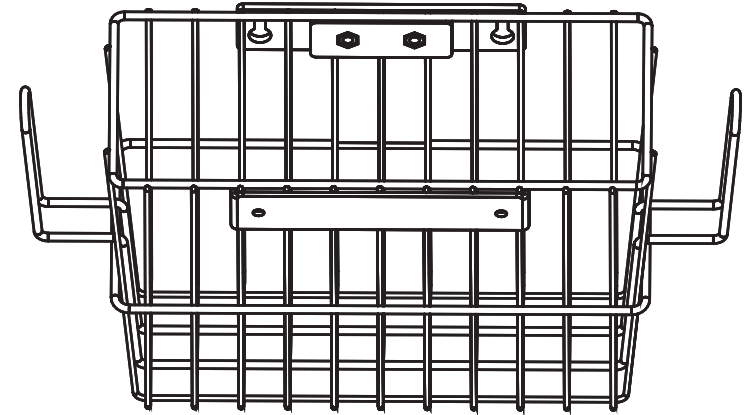
## 2d



# 3



1 2



Download operating instructions for this product by visiting [suntechmed.com/library](http://suntechmed.com/library). View the instructions for this product using Adobe Acrobat Reader, or any compatible PDF reader, on any computer or mobile device with an internet connection.

Téléchargez le mode d'emploi de ce produit en visitant [suntechmed.com/library](http://suntechmed.com/library). Consultez les instructions de ce produit à l'aide d'Adobe Acrobat Reader ou de tout lecteur PDF compatible sur n'importe quel ordinateur ou appareil mobile doté d'une connexion Internet.

Scarica le istruzioni per l'uso di questo prodotto visitando [suntechmed.com/library](http://suntechmed.com/library). Segui le istruzioni di questo prodotto utilizzando Adobe Acrobat Reader o qualsiasi lettore PDF compatibile, su qualsiasi computer o dispositivo mobile con una connessione internet.

Laden Sie die Bedienungsanleitung für dieses Produkt herunter, indem Sie [suntechmed.com/library](http://suntechmed.com/library) besuchen. Sehen Sie sich die Anleitungen für dieses Produkt mit dem Adobe Acrobat Reader oder einem kompatiblen PDF-Reader an jedem Computer oder Mobilgerät mit einer Internetverbindung an.

Descargue las instrucciones de funcionamiento de este producto visitando [suntechmed.com/library](http://suntechmed.com/library). Consulte las instrucciones de este producto utilizando Adobe Acrobat Reader, o cualquier lector de PDF compatible, en cualquier computadora o dispositivo móvil con una conexión a Internet.

Baixa as instruções de operação deste produto visitando [suntechmed.com/library](http://suntechmed.com/library). Veja as instruções deste produto usando o Adobe Acrobat Reader, ou qualquer leitor de PDF compatível, em qualquer computador ou dispositivo móvel com conexão à Internet.

